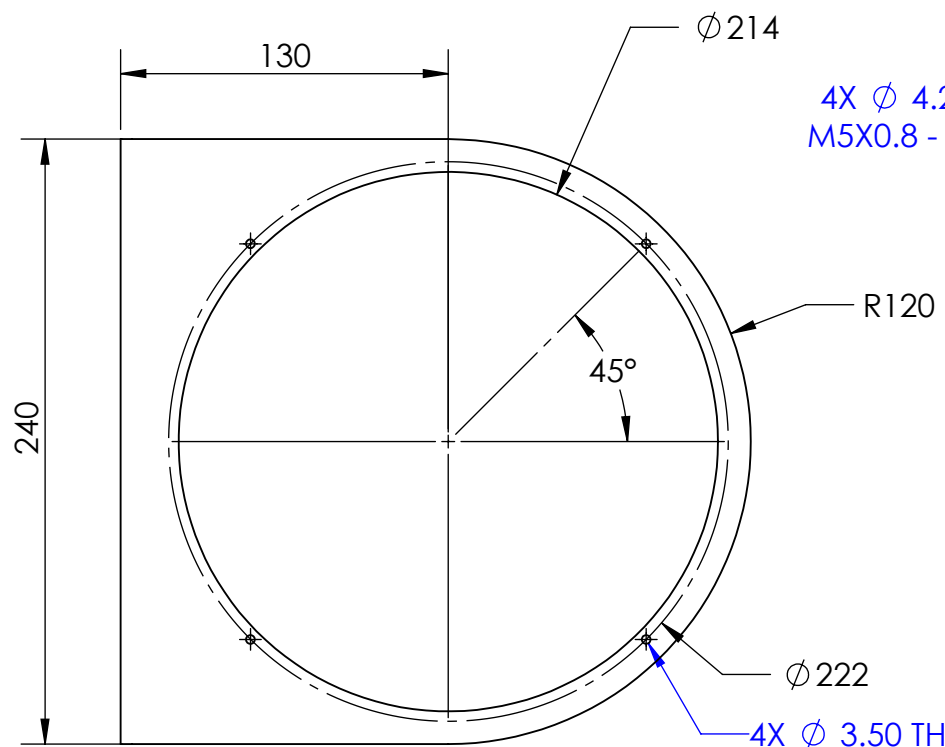
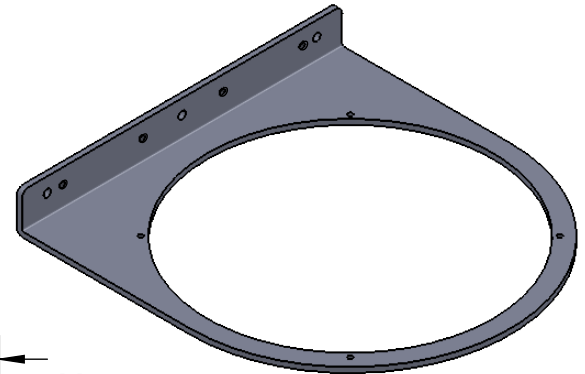
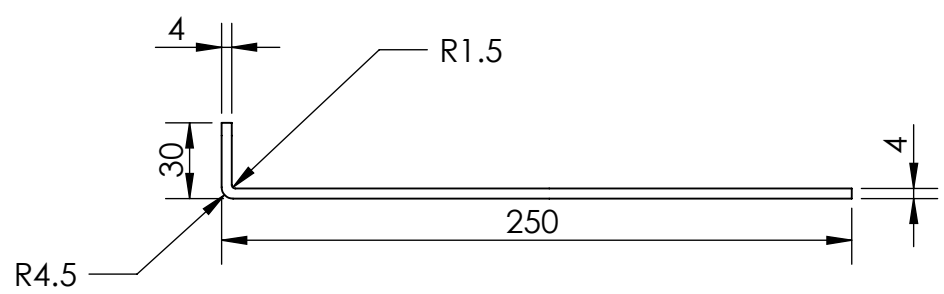
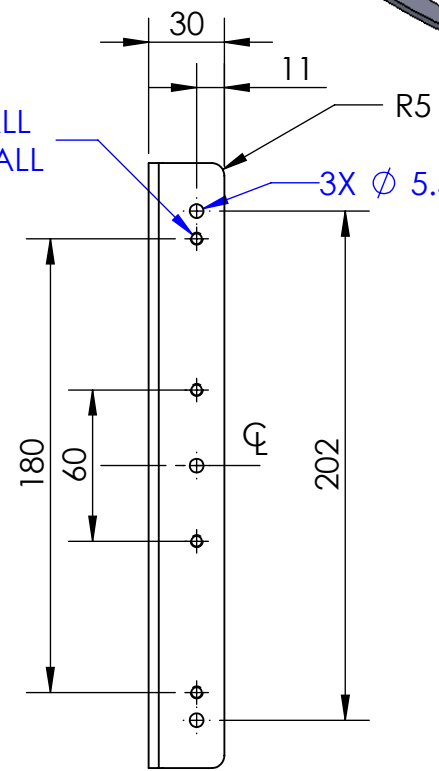


REVISIONS				
ZONE	REV.	DESCRIPTIONS	DATE	APP.



4X Ø 4.20 THRU ALL
M5X0.8 - 6H THRU ALL

3X Ø 5.50 THRU ALL



COLOR	WAVE LENGHT
RED:	630nm
GREEN:	525nm
BLUE:	470nm
WHITE:	--
IR 850:	850nm
IR 940:	940nm
UV:	375nm
RGB:	620nm/525nm/470nm



DESIGN BY	KB TAN	UNIT:	PRODUCT SERIES: IDS4 SERIES					
CHECK BY	KB TAN	MM						
DATE	17/11/2016	REVISION:						
MATERIAL	ALU	01	TITLE	MOUNTING TOP BRACKET	COLOUR:	-	-	-
FINISHING	POWDER COAT BLACK 774	SCALE:	PART NO	IDS4-00-200-1-X-BRACKET	VOLTAGE:	-	-	-
QTY	1	1 : 1	DWG NO	IDS4-00-200-1-X-24V-05(REV01)	CURRENT:	-	-	-
					POWER:	-	-	-
					SHEET 1 OF 1			